

Clearly the Best

**S 1400**



**ROLL-FAST DOORS**

**INTERNAL / FREEZER**



# S 1400

When quick access is required  
the S1400 Internal Roll Fast Door is the answer

## Technical details

A self-supporting, easy-to-install construction, consisting of two side guides and a top roller. The top roller is electrically powered and moves the plastic fabric door curtain rapidly up and down. A control box provides operator controls, monitors the door curtain movements and the safety features.

## Construction

Galvanized, bolt-on steel sheet side frames with integral guides for the door curtain and integral sealing brushes. Top roll is made of precision drawn steel tube.

## Door curtain

Plastic reinforced fabric 1.5 mm thick, constructed in three sections and separated by aluminium wind bars. Central section is transparent PVC Vision Panel stretching from 1400 mm to 2400 mm above floor. Aluminium bottom rail with self-monitoring safety edge and rubber seal.

## Drive

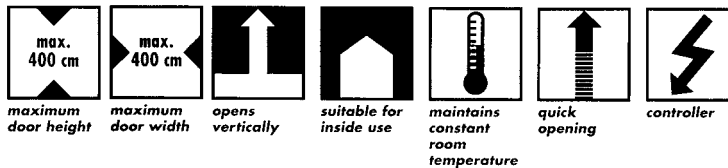
SEUSTER compact electric motor / gearbox combination ready for keying to top roller. Fitted with magneto-electric brake and 6 limit switches mounted directly on the shaft. Drive is mounted right, but can optionally be mounted left. Motor specifications are 240 V, 50 Hz, 16A. Output 1.1kW, IP 54.

## Performance

Opening speed is 1.4 m/sec. and closing speed is 0.5 m/sec.

## Controls

Controller is equipped with an inverter to ensure fast, smooth operation on acceleration and braking. Any normal pulse generator, time-delay relays or diagnostic LED's may be connected.

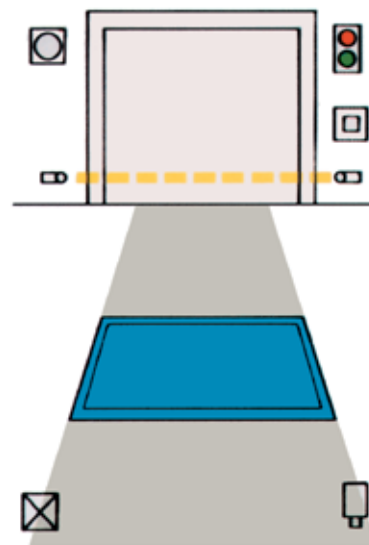


## Operation

In addition to the OPEN/STOP/CLOSE push buttons mounted on the face of the control box, there is a lockable mains isolator and an emergency stop button. Any of the following may also be incorporated: push buttons, remote control system, pull cords, radar, induction loops, airlock-type controls. Intermediate stop freely adjustable to suit.

## Safety

These doors are manufactured and supplied with a self-monitoring safety edge which reverses the door on impact and an anti-crash mechanism. There is a safety photo electric cell mounted within the side frame preventing the door closing if obstructed. An emergency cranking facility is also supplied for opening during power failure.



## MELBOURNE

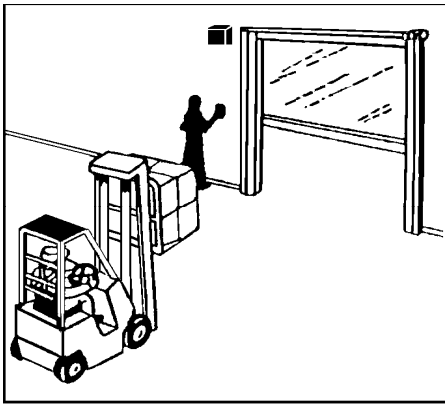
55 Northern Road,  
West Heidelberg, Vic. 3081  
Telephone: (03) 9450 1900  
Fax: (03) 9458 3217

## SYDNEY

5 Hallstrom Place,  
Wetherill Park, N.S.W. 2164  
Telephone: (02) 9756 5577  
Fax: (02) 9756 5666

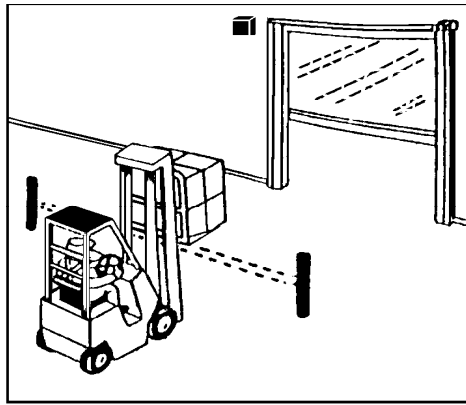
Distributed by:

# Clearly the best - SEUSTER Roll-Fast Doors



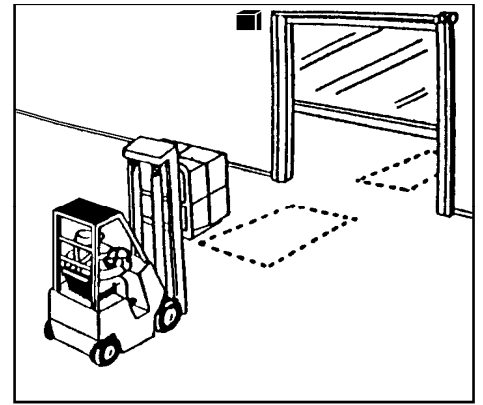
## Push Button:

Least expensive way to control door movement.



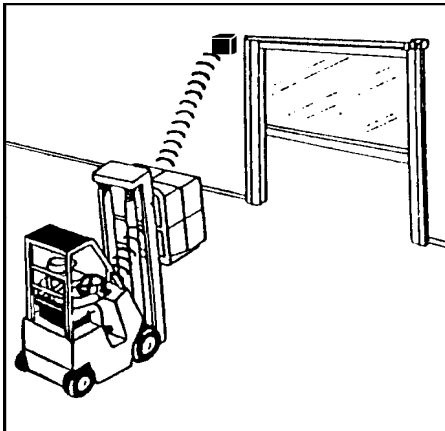
## Photo Electric Cell:

By breaking the beam, the door opens, then closes by time delay.



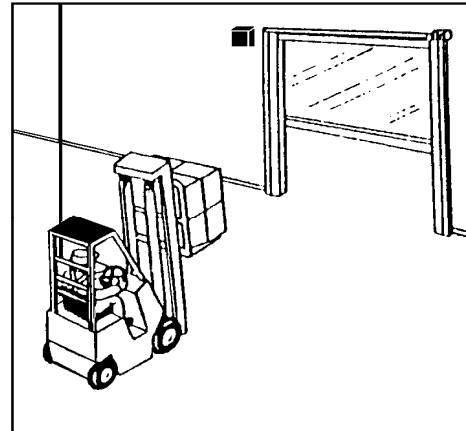
## Induction Loop:

The loop in the floor reacts by magnetic attraction to open the door. Loops can operate for one way or two way traffic. (Specify "one way loop" or "two way loop").



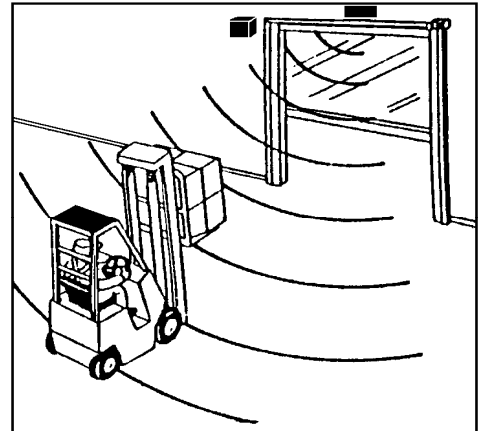
## Remote Control:

A radio transmitter carried by the driver.



## Pull Switch:

Driver operates pull switch without dismounting. Time delay ensures door closes after use.



## Motion Detector:

The detector beam detects movement and activates the door.

**M.T.I. Roll-Fast Doors** are automatic rapid opening and closing roller doors with various opening speeds. The door inserts come in either 4mm thick clear PVC panels or 1.5mm thick vinyl panels. On very windy openings the panel can incorporate wind bars.

*Select the control most suited to your needs from the above illustrations.*

**For total environmental control:-**

**Dust, fumes, noise, process separation, temperature control, draught, exclusion of birds and insects.**

For assistance in specifying the requirements for your doors, consult **M.T.I. QUALOS PTY. LTD.**



### MELBOURNE

55 Northern Road,  
West Heidelberg, VIC. 3081  
Telephone: (03) 9540 1900  
Fax: (03) 9458 3217

### SYDNEY

5 Hallstrom Place,  
Wetherill Park, N.S.W. 2164  
Telephone: (02) 9756 5577  
Fax: (02) 9756 5666

### STANDARD FEATURES INCLUDE:

Photo Electric Cell In Door Line.  
Bottom Safety Edge For Auto Reverse.  
Red Safety Vision Strip.  
Running Time Limit Controller.  
Cycle Counter.  
Main Isolator Switch (1).  
Electronic Microprocessor.

### FIRST CHOICE:

In Hospitals,  
Food Factories,  
Milk & Dairy Plants,  
Hotels, Restaurants,  
Chillers, Freezers,  
Cold Storage Complexes,  
All Light & Heavy  
Industry Situations.

**EXTRACTS FROM THE PRODUCT ASSESSMENT REPORT**

**ON M.T.I. "SEE-THRU" FLEXIBLE DOORS**  
**BY THE DESIGN COUNCIL OF AUSTRALIA**

**5 NOVEMBER 1982**



**GENERAL:**

The panel was satisfied that the M.T.I. Qualos "See-Thru" Door, which is made in Australia under the Swiss patent held by Sigerist & Co., qualified for Design Council Selection.

The panel commended the manufacturer on the quality of the construction and the unique design features in supporting the PVC sheeting, allowing it to accommodate movement due to the different co-efficient of expansion between the PVC and the steel door frame, thereby ensuring the PVC panels will stay flat sealing the doorway.

**FUNCTION:**

The panel was impressed with the visibility through the PVC door sheeting, even after several years of use. A sample of worn PVC sheet provided evidence of the design criteria and confirmed the safety aspects of the M.T.I. Qualos Pty. Ltd., door.

The self-closing mechanism is concealed in the steel top frame and can be easily adjusted to give a desired closing pressure with maximum resistance to draughts in the closed position.

Another innovative feature is the cam that is connected to the closure. This can be set to hold the door open 90° if required.

The panel considered the provision of steel mounting frames, which are made to measure, a good format. They ensure that the doors are hung in a square and workmanlike manner. The door frame fixing is achieved by bolting through the frame to the opening with approximate size, style and number of connections to suit the building construction.

**SAFETY:**

The panel commended the location and design of the hinges, which incorporated a shear-pin in the bottom hinge, designed to give way on impact to protect the door structure. This is susceptible to damage from careless forklift operations and the shear-pin greatly reduces the risks. Replacement of this part is simple and inexpensive and hinge size can be selected depending on the size of the door.

A desirable feature of this shear-pin arrangement is that in the event of an accident the door remains upright on the top hinge, so avoiding injury.

**CONSTRUCTION:**

The unique roll formed steel door frame, which contains the PVC panels, provides a very neat solution to industrial door closures. The all-welded frame and gusset are strong and well finished.

The panel was also impressed with the system of reinforcing the PVC material wherever high stress points occurred.

Stainless steel hinges and galvanised steel frames are provided for food area applications.

**DURABILITY:**

The construction was considered to be virtually maintenance free except for periodic greasing of the closure mechanism and the cleaning of the PVC sheeting.

**VALUE:**

The panel agreed that the prices of M.T.I. Qualos Pty. Ltd., "See-Thru" Doors were competitive and represented good value for money, satisfying a current need for this style of industrial door in a very effective manner.

**AESTHETICS:**

The panel commended the quality of finish and the general appearance of the door particularly the clean lines with absence of surface fixings.

**CONCLUSION:**

The assessment panel recommended that the "See-Thru" Flexible Swing Doors be granted DESIGN COUNCIL SELECTION.