

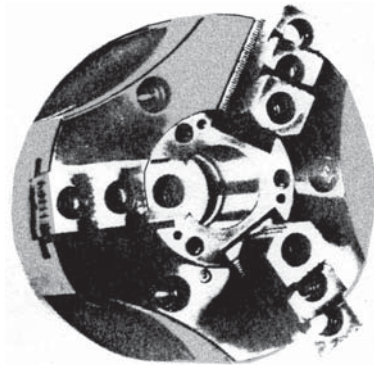


Power Chucks Series 2405

Power Chucks with through hole in which wedge system of power transmission is incorporated prove their merits in everyday use. Their fundamental advantages are great load carrying capacity, durability and high clamping accuracy and repeatability.

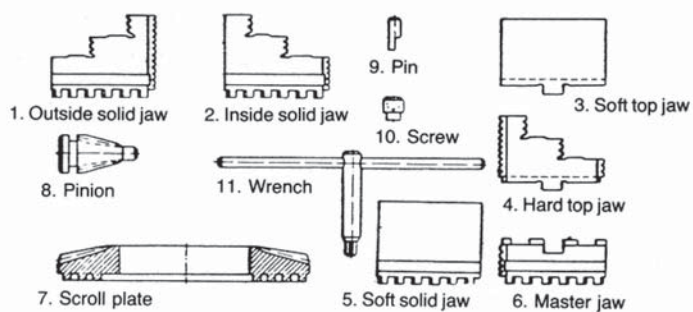
Technical features:

- Manufactured from high grade alloy steel
- Mating surfaces of all parts hardened and ground
- Rigid construction
- Base jaws secured against throw-off
- Base jaws lubricated directly
- Front stop of piston in the cylinder, rear stop on spindle or adaptor plate



LIST OF SPARE PARTS FOR LATHE CHUCKS

A. Self-Centring



B. With independent Jaw Setting

