



## MACHINE LEVELS

DUCOURRET

### HIGH PRECISION LEVELS

Supplied in a wooden box

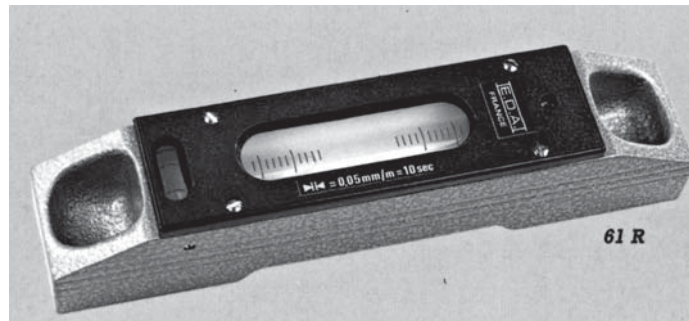
#### 61 R INSPECTION BLOCK LEVELS

Stabilized cast iron. Flat and vee bearing surfaces. Surfaces lapped, hardened for length 140 - 200 - 300 mm. 2 adjustable vials (only 1 vial for type 100 mm length). To avoid the loss of accuracy caused by sealing and ageing of the sealing compound, the vial is unsealed. The vial can expand without stress if variations of temperature.

Maximum clarity of bubbles. Exceptional resistance to shock. Ease of replacement of the 2 vials. Same types of vials are used on 61R length 140, 200, 300, 500 mm and 67R.

N°	Sensitivity			Accuracy of the base for 200 mm	
	mm/m	in./10 in.	sec.	mm	in.
61 R 0,05	0,05	.0005	10	0,005	.0002
61 R 0,02	0,02	.0002	4	0,002	.0001

CODE	DESCRIPTION	SENSITIVITY
61R-140-02	140mm	.02
61R-140-05	140mm	.05
61R-200-02	200mm	.02
61R-200-05	200mm	.05
61R-300-02	300mm	.02
61R-300-05	300mm	.05



61 R

**MACHINE LEVELS**



**INSPECTION SQUARE BLOCK LEVELS**

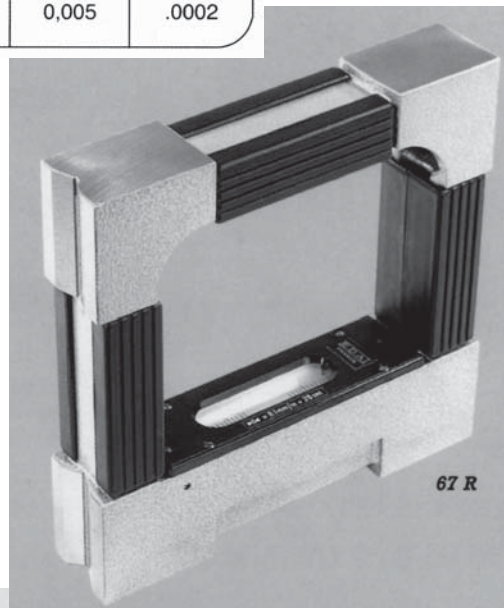
Supplied in a wooden box

**67 R INSPECTION SQUARE BLOCK LEVELS**

Stabilized cast iron. Two sides with flat bearing surfaces and two sides with flat and vee bearing surfaces. Same characteristics as 61 R. Insulating handles. Spare vials : the same as for 61 R. Dimensions : 200 x 200 x 40 mm - 300 x 300 x 40 mm.

N°	Sensitivity			Accuracy of the base for 200 mm	
	mm/m	in./10 in.	sec.	mm	in.
67 R 0,05	0,05	.0005	10	0,005	.0002

CODE	DESCRIPTION	SENSITIVITY
67R-200-05	200mm	.05
67R-300-05	300mm	.05



**70 SMALL SQUARE BLOCK LEVELS**

Sensitivity : 0,1 mm/m, 2 vials not adjustable. Dimensions : 100 x 100 mm and 150 x 150 mm. Magnetic base on request.

CODE	DESCRIPTION	SENSITIVITY
70-100-100	100x100mm	.1mm/M
70-150-150	150x150mm	.1mm/M